

# GAINSBOROUGH™



## INSTALLATION GUIDE

ROUND AND SQUARE  
DUAL OUTLET SHOWERS

# Contents

<b>Before you start</b>	<b>2</b>
<b>General Information</b>	<b>3</b>
<b>Tools Required (Tools not supplied)</b>	<b>3</b>
<b>Warranty</b>	<b>3</b>
<b>Dual outlet - GDRE and GDSE Components</b>	<b>4</b>
<b>Dual Outlet Cool Touch - GDRP and GDSP Components</b>	<b>5</b>
<b>Water Supply Requirements</b>	<b>6</b>
<b>Installation Preparation</b>	<b>7</b>
Fitting the Bar Valve	8
Preparing the Shower Rail Assembly	9
Fitting the Shower Rail Assembly	11
Fitting the Drencher Head	12
Fitting the Hose	12
<b>Cartridge Temperature Adjustment</b>	<b>13</b>
<b>General Maintenance</b>	<b>14</b>
<b>General Cleaning</b>	<b>16</b>
<b>User Instructions</b>	<b>16</b>
<b>Troubleshooting</b>	<b>18</b>

## Before you start

This shower should be installed by a competent person in compliance with current Water Supply Regulations. For further details contact your Local Water Authority.

- Identify all components and check pack contents.
- Turn off water supplies.
- Suitable full bore isolation valves must be fitted to both supplies in accordance with current Water Supply Regulations and our terms of warranty. Valves must be accessible for warranty and servicing.



Before making any pipe connections all supplies MUST be thoroughly flushed to remove any debris.

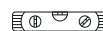
## General Information

This product must be fitted in compliance with the UK Water Supply (Fittings) Regulations. If in doubt please contact your local water authority.

## Tools Required (Tools not supplied)



TAPE  
MEASURE



SPIRIT  
LEVEL



SPANNER



PENCIL



SCREWDRIVER



DRILL



DRILL BIT



JOINTING  
TAPE

We have taken great care to ensure that this product reaches you in perfect condition. However should any parts be damaged or missing please contact your point of purchase. This does not affect your statutory rights. In addition if you require replacement parts please contact the Gainsborough customer helpline on 01959 560760 for assistance.

## Warranty

Gainsborough products are supplied complete with a 1 year guarantee that can be upgraded by registering this product with Gainsborough.

For details see: [www.gainsboroughshowers.co.uk/warranty](http://www.gainsboroughshowers.co.uk/warranty)

# Components

DUAL OUTLET GDRE AND GDSE	NO.	DESCRIPTION	QTY
	1	Bar Valve	1
	2	Sealing Washer - Pre-fitted to valve inlets	2
	3	Cover Plate	2
	4	Threaded Connector	2
	5	Diverter & Sealing Washer	1
	6	Rail Sealing Washer	1
	7	Shower Hose - 1.5m	1
	8	Hose Washer	2
	9	Handset Holder	1
	10	Straight Riser Rail	1
	11a	Handset - Square	1
	11b	Handset - Round	1
	12a	Drencher Head - Square	1
	12b	Drencher Head - Round	1
	13	Rail Bracket	1
	14	Fixing Screw	1
	15	Wall Stay Grub Screw	2
	16	Wall Stay	1
17	Wall Plug	1	
18	Curved Rail	1	

**N.B.** You will receive only one handset and drencher. Either 11a & 12a or 11b & 12b.

# Components

DUAL OUTLET COOL TOUCH GDRP AND GDSP	NO.	DESCRIPTION	QTY
	1a	Bar Valve - Round	1
	1b	Bar Valve - Square	1
	2	Sealing Washer - Pre-fitted to valve inlets	2
	3	Cover Plate	2
	4	Threaded Connector	2
	5	Shower Hose - 1.5m (including 2 x sealing washers)	1
	6	Handset Holder	1
	7	Straight Riser Rail	1
	8a	Handset - Round	1
	8b	Handset - Square	1
	9a	Drencher Head - Round	1
	9b	Drencher Head - Square	1
	10	Rail Bracket	1
	11	Fixing Screw	1
	12	Wall Stay Grub Screw	2
13	Wall Stay	1	
14	Wall Plug	1	
15	Curved Rail	1	

**N.B.** You will receive only one bar valve (with corresponding cover plates), handset and drencher. Either 1a, 8a & 9a or 1b, 8b & 9b.

# Water Supply Requirements

**Hot Water Maximum: 65° C**

**Cold Water Minimum: 5° C**

**Recommended 60-65° C**

**Recommended 10-15° C**

Always maintain a 10° C difference between hot system temperature and maximum hot setting of valve.

**Operating Pressure Range: Min. 1.0 bar, Max. 5.0 bar**

When water pressure is higher than 5 bar a pressure reducing valve (not supplied) must be fitted before the mixer. A setting of 3 bar is recommended.

This valve is suitable for gravity boosted, balanced high pressure and combination boiler systems.

For gravity pumped systems use 22mm supply pipes and reduce to terminate in a ½" BSP female fitting.

**Pump Installation:** PUMPS MUST NOT BE FITTED DIRECTLY TO A WATER MAIN. REFER TO PUMP MANUFACTURERS INSTALLATION GUIDELINES. Ensure there is adequate flow through the pump to activate the flow switches.

**Combination boiler:** MUST have a minimum rating of 24kW (80,000 Btu) and be of the type fitted with a fully modulating gas valve.

Boiler performance may affect outlet temperature.

**Operating pressures:** Hot and cold supplies should be kept as even as possible in order to ensure the maximum efficiency of the mixer.

# Installation Preparation



**Prior to fitting valve, measurements must be made in preparation for fitting the shower rail assembly.** Ensure that the shower is set in a comfortable position for all users and the rail assembly fits within the height restrictions of the proposed siting.

**These products incorporate an adjustable height telescopic shower rail.**

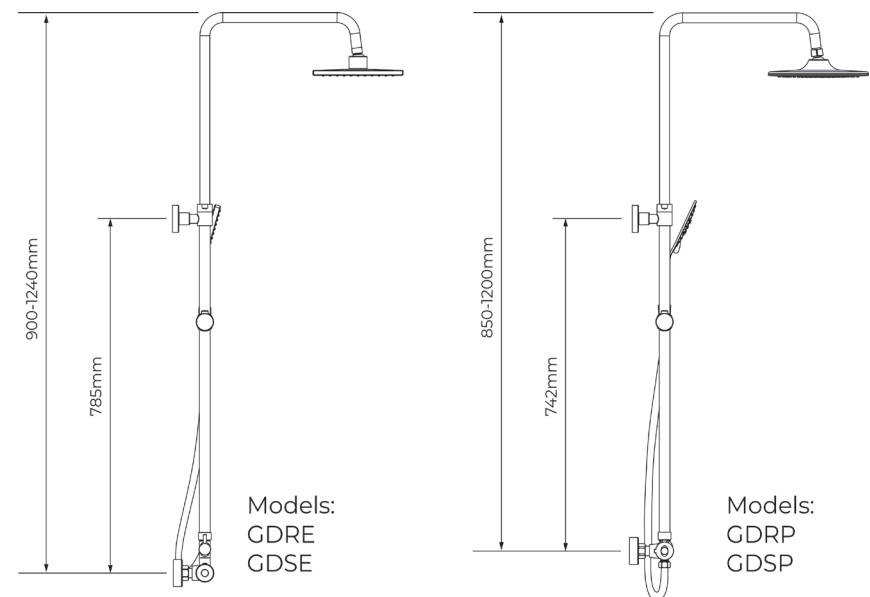
Height adjustment:

Models GDRE and GDSE      Height adjustment      \*900 – 1240mm

Models GDRP and GDSP      Height adjustment      \*850 – 1200mm

**Note: \*measured from the inlet pipe centres to the top of the arm (curved rail).**

**Using the following drawings and instructions, measure and mark out the proposed siting for the shower.**



## Fitting the Bar Valve

1. Measure and mark the middle between the proposed pipe centres i.e. pipe centres are at 150mm. Centre is 75mm.

Using a level, measure from the central point, vertical to required length and mark, as shown.

**Do not drill the fixing hole, this will be done in the later steps.**

2. Prepare the entry point for the pipework and valve connections.

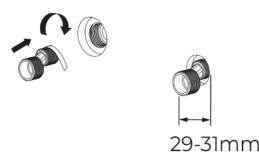
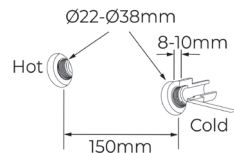
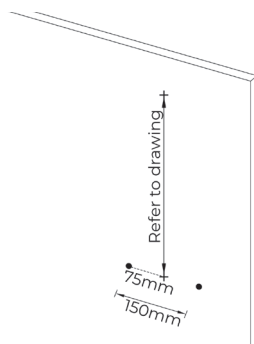
The connections provided allow for inlet pipework adjustment between 132mm - 168mm centres for retrofit installations. Construct suitable connections terminating in ½" BSP female fittings.

All connections provided convert from ¾" to ½".

3. Apply jointing tape to the threads and fit the connectors sufficiently to achieve a watertight seal, terminating at 150mm centres to suit the exposed valve inlets.

Ensure sufficient thread length from the finished wall surface, after the cover plates have been fitted, to allow adequate purchase for the valve inlets.

If using alternative fixings, please refer to the installation instructions provided and ensure adequate threads are left to connect to the valve.

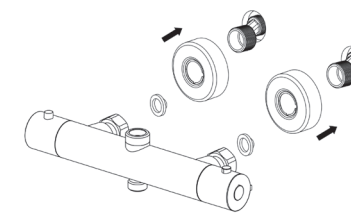


Ensuring adequate provision to allow the water to discharge safely to waste, turn on the supplies to flush the system through. Attach pressure test equipment and pressure test the system in accordance with Water Supply Regulations.

4. Screw the cover plates over the threaded connectors, so they are flush against the finished wall surface.

Unscrew the plastic protective caps and ensuring the mesh filtered sealing washers are positioned within the valve inlets, offer the bar valve into position. Tighten the valve nuts using a suitable tool, taking care not to overtighten.

Turn on the water supplies and check for leaks, it is advisable to then isolate the water supplies again to complete the installation of the rail.



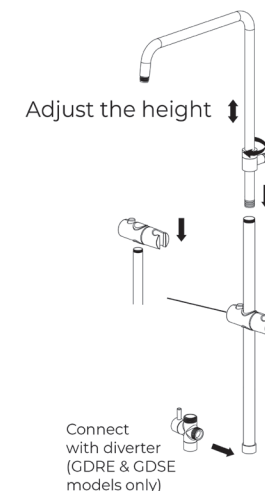
GDRP Model shown

## Preparing the Shower Rail Assembly

1. Depress the release button of the handset holder and slide onto the straight section of the rail assembly.

Remove the plastic protective cap and insert the upper (curved) section into the straight rail and push firmly home to engage the o-ring seals, then screw the rail bracket on to the straight rail to secure the two sections.

Loosen the locking nut above the rail bracket, adjust to the required height and retighten the nut.



Connect with diverter (GDRE & GDSE models only)



Do not extend past the maximum height, refer to page 7 for measurements.

2. Where supplied (with GDRE and GDSE models), attach the in-line diverter to the rail assembly, making sure that the rubber seal is in place.

3. Loosely attach the complete rail assembly (including inline diverter where supplied) onto the outlet connection of the shower valve.

**Note: ensure the rubber sealing washer is fitted in the rail connector or diverter (where supplied).**

4. Where applicable, place the wall stay bracket over the marking previously made on page 8 (point 1). (Ensure your fixing mark is visible and centrally located in the slot).

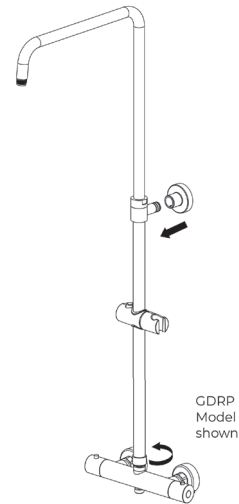
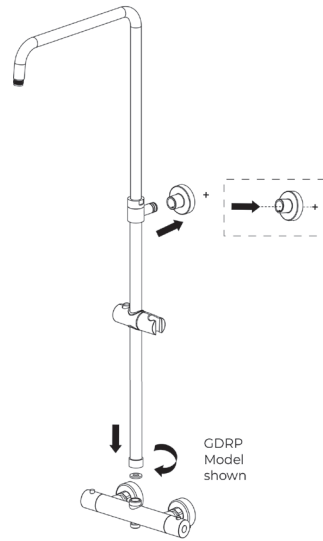
Holding the bracket in position, tilt the rail assembly back and slot the rod into the bracket.

If all components align correctly, place a level on the rail to ensure the assembly is straight.

Where the assembly is not straight or doesn't line up with your marking, reposition the wall stay bracket and rail assembly until correct. Hold the bracket in position, remove the rail assembly, and mark the fixing point.

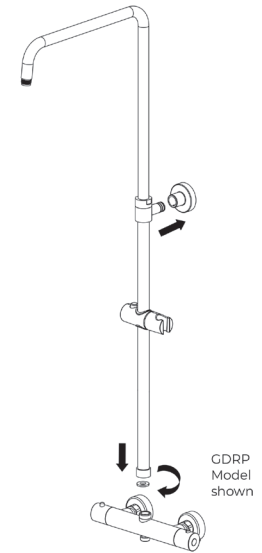
5. Drill and insert the wall plug then secure the bracket to the wall using the fixings provided, if suitable.

**Note: position the wall stay bracket so that the grub screw hole is underneath and out of sight.**

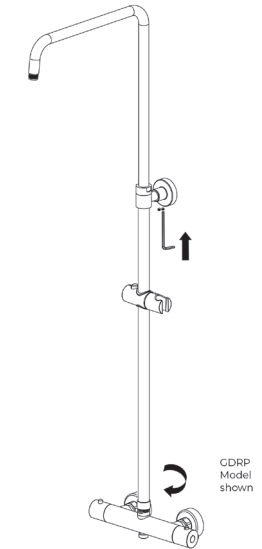


## Fitting the Shower Rail Assembly

1. Ensuring the rubber sealing washer is in place, reposition the shower rail assembly onto the bar valve outlet, hand tighten the nut to allow some free movement, then tilt the shower rail assembly back and slot the rail bracket rod into the wall stay,

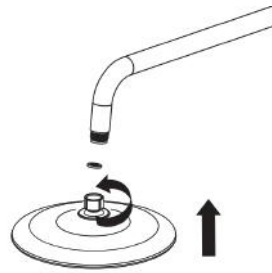


2. Secure the rod into the wall stay by tightening the grub screws using the hexagonal key provided and tighten the rail assembly nut connecting to the valve outlet.



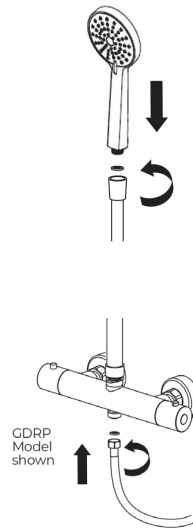
## Fitting drencher head

1. Ensure the washer is in place, screw the drencher head onto the arm, taking care not to damage the plated surface. Tighten carefully using a suitable tool taking care not to overtighten.



## Fitting the hose

1. Ensure the hose washers are in position; attach the conical end of the hose to the shower head and the other end to the shower valve or the in-line diverter (where fitted).



## Cartridge Temperature Adjustment

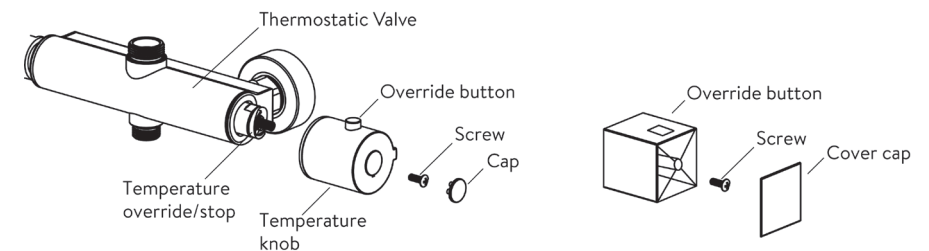
This product has been factory set under balanced pressures, and a hot water supply of 65°C.

**N.B.** This product can reach temperatures in excess of 50°C.

If site conditions vary significantly from the factory conditions, it may be necessary to reset the temperature of the cartridge to enable the product to deliver 38°C when the temperature knob is set to the 38°C position.

In this case, you can adjust the cartridge to change the outlet water temperature to suit your requirements. This can be adjusted by using a digital thermometer and following the below instructions.

1. Turn the temperature knob to the 38°C position.
2. Carefully remove the cover cap, loosen the screw then remove the temperature knob.
3. Run the shower at required flow.
4. Whilst measuring the temperature of the water, and without removing the temperature override stop, turn the brass spindle until the temperature reaches 38°C.
5. Once 38°C is achieved, turn the shower off.
6. Refit the temperature knob by depressing the temperature override safety button and carefully pushing the knob into place with the button at the 12 o'clock position. Tighten the screw and fit the cap.

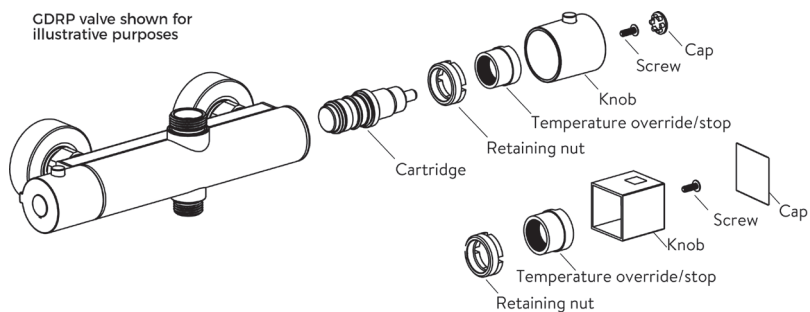


GDRP valve shown for illustrative purposes

# General Maintenance

## Cleaning the thermostatic cartridge

1. Before carrying out any maintenance, ensure the water supplies are isolated. Once isolated, turn the shower on to release internal pressure. If unsure contact a qualified tradesman.
2. Carefully remove the cap, loosen the screw, then remove the temperature knob. If necessary, the control knob can be temporarily attached later and used for leverage to remove the cartridge.
3. Note the position of the temperature override stop, the control knob trim (where fitted) and thermostatic cartridge before removal as they must be refitted in the same position. Once noted, remove the temperature override stop and the trim (where fitted) from the cartridge. Remove the brass retaining nut using a suitable tool, remove and clean the thermostatic cartridge rinsing thoroughly under cold water to remove any build up of limescale or debris.
4. If required, a replacement cartridge can be obtained by contacting the Customer Helpline.
5. Refit the cartridge into the valve body, tighten the retaining nut using a suitable tool and taking care not to cross thread, then refit the trim and temperature override stop.
6. Refit the temperature knob by depressing the temperature override safety button and carefully pushing the knob into place with the button at the 12 o'clock position. Tighten the screw and fit the cap.
7. Reinststate the water supply and ensure there are no leaks.



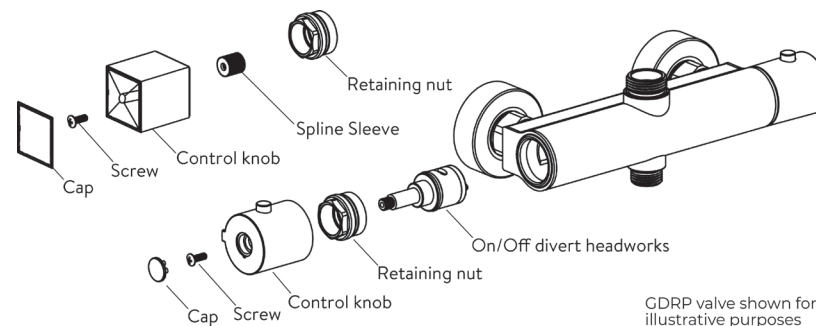
## Cleaning the on/off divert headworks

1. Before carrying out any maintenance, ensure the mains water supply is isolated. Once isolated, turn the shower on to release internal pressure. If unsure contact a qualified tradesman.
2. Carefully remove the cap, loosen the screw, then remove the control knob and trim (where fitted). The control knob can be temporarily attached later for leverage to remove the headworks.

**Note:** for GDRE and GDSE models, use a suitable spanner to unscrew the headworks.

Using an suitable spanner, unscrew the retaining nut, and remove the On/Off Divert headworks.

3. Clean the headworks by rinsing thoroughly under cold water to remove any build up of limescale or debris.
4. If required, replacement headworks can be obtained by contacting the Customer Helpline.
5. Refit the headworks ensuring the locating lugs align (where applicable), then screw on the retaining nut - hand tight and taking care not to cross thread, then nip up using a suitable spanner. DO NOT OVERTIGHTEN. For square models ensure the spline sleeve is fitted.
6. Re-fit the trim (where supplied) and control knob, ensuring correct orientation so the graphics are right . Tighten the screw and fit the cap.



7. Reinststate the water supply and ensure there are no leaks.

## Inlet filters

The product is protected by inlet filter washers. It is suggested that filters are checked by a competent person at least every 12 months.



# General Cleaning

Whilst modern plating techniques are used in the manufacture of these fittings, the plating will wear if not cleaned properly. The safest way to clean your product is to wipe with a soft damp cloth. Stains can be removed using washing up liquid.

**Do not use: scouring pads, abrasive cloths or cleaners and cleaning agents that contain acids or bleach.**

## Limescale

Rub the nozzles of the shower head to break down scale build up. Should chemical descaling of the head become necessary, remove the shower head fully and immerse in a mild proprietary descaler.

**It is imperative that descaling is carried out strictly in accordance with the manufacturers instructions. Substances that are not suitable for plastics and electroplated surfaces must not be used.**

# User Instructions

**Shower valve** - The bar valve and fixing bracket assembly MUST NOT be used as a grab rail or means of support.

**Controls** - As viewed from the front:  
On/Off or On/Off Divert - Left  
Temperature - Right

**GDRP & GDSP** - To turn on the drencher head rotate the left hand control knob towards the wall.  
To turn on the handset rotate the left hand control knob away from the wall.  
Turn the shower off by bringing the control knob back to the central position.

**GDRE & GDSE** - To divert between the drencher head and the handset rotate the lever 1/4 turn.

The shower is at mid-blend position when the button on the right hand knob is centrally at the top.

**N.B. The mid blend temperature is dictated by the temperature of the incoming supplies.**

To select a comfortable showering temperature, depress the override button and rotate the dial using the temperature markings as a guide.

For cooler temperature - rotate towards the wall.

For warmer temperature - rotate away from the wall.

**N.B.** With all Gainsborough shower valves fitted to combination boiler systems, it may be necessary to adjust the flow control knob and reduce the flow to achieve a comfortable showering temperature.

## Shower head

1. To select the preferred height of the handset, depress the handset holder button to enable the slider to be moved up or down the rail.
2. Angular adjustment is made by carefully but firmly pulling the shower head forwards, or pushing the shower head back towards the wall.
3. The height of the shower rail can be adjusted, refer to the relevant sections of the installation instructions (Fitting the shower rail).
4. For multimode handsets - to select the desired spray pattern rotate the shower spray plate clockwise or anti-clockwise.

**Never attempt to make any adjustment to the shower head by pulling on the shower hose.**

# Troubleshooting

Symptom	Possible Cause	Remedy
Only hot or cold water from the shower valve outlet.	Partially closed stop or service valve in water supply pipework to the shower valve.	Open stop or service valve.
	Inlet filter is partially blocked.	Clean or replace, flush through pipework before refitting.
	Inlet water supplies are reversed (hot to cold supply).	Check the connections are the correct way round. Hot on the left and cold on the right when viewed from the front. Rework pipework as necessary.
Maximum water temperature too hot or cold.	Maximum water temperature set incorrectly.	Reset maximum water temperature. Refer to Cartridge Temperature Adjustment (page 13).
Water leaking from shower head.	This is normal for a short time after turning off.	Adjust angle of shower head in holder as necessary to vary draining time. Clean shower head.
	Shower flow valve failing to close fully, possibly due to water borne debris.	Remove flow valve and check. Refer to Cleaning the On/Off Divert Headworks section (page 15) before dismantling shower valve.
Outlet water temperature too hot/cold.	Inlet filter is partially blocked.	Check inlet filters for any blockages and clean as necessary.
	Installation conditions outside operating parameters.	Refer to Water Supply Requirements (page 6). Refer to Cleaning the Thermostatic Cartridge section (page 14). Refer to Cartridge Temperature Adjustment (page 13).
	Hot water temperature is less than 10°C above the required blend temperature.	Adjust hot water temperature or wait for water to reheat if stored system is used.
	Instantaneous water heater not igniting because water flow rate is too low.	Increase water flow rate through the system. Check inlet filters and clean or replace. Refer to Cleaning the Thermostatic Cartridge section (page 14). Contact the boiler manufacturer.
Control dials stiff to operate.	Debris/Scale build up.	See General Maintenance (pages 14-15).

Symptom	Possible Cause	Remedy
No flow or low flow rate and/or varying temperatures.	Check shower head, hose and filters for any blockage.	Clean as necessary. Refer to General Maintenance section (page 14-15).
	Partially closed stop or service valve in water supply pipework to the shower valve.	Open stop or service valve.
	Instantaneous water heater cycles on and off as the flow rate or pressure is too low.	Increase water flow rate or pressure through system. Contact the boiler manufacturer.
	Head of water is below the minimum distance required to activate pump.	Raise the cistern or fit a universal booster pump.
	Inlet filter is partially blocked.	Clean or replace, flush through pipework before refitting.
	Hot or cold water being drawn off elsewhere causing pressure changes or instantaneous boiler temperature changes.	Do not use other water outlets when using the shower.
	Make sure the maintained inlet pressures are nominally balanced and sufficient.	Refer to Water Supply Requirements (page 6).
	Airlock or partial blockage of the pipework (gravity supply only).	Flush through pipework to ensure removal of debris and any airlocks.
	No hot or cold water reaching the shower valve.	Check hot and cold feeds (the valve will shut down if either the hot or cold supply fails).



Gainsborough Showers  
Customer Service Department  
The Flyers Way  
Westerham Kent TN16 1DE

Aqualisa International  
Jan Palfijnstraat 26/002  
Kortrijk  
Belgium 8500

Customer Helpline: 01959 560760  
Fax: 01959 560030  
Website: [www.gainsboroughshowers.co.uk](http://www.gainsboroughshowers.co.uk)  
Email: [enquiries@gainsboroughshowers.co.uk](mailto:enquiries@gainsboroughshowers.co.uk)  
Warranty: [www.gainsboroughshowers.co.uk/warranty](http://www.gainsboroughshowers.co.uk/warranty)

Part No: 706106 Issue 01 Oct 21